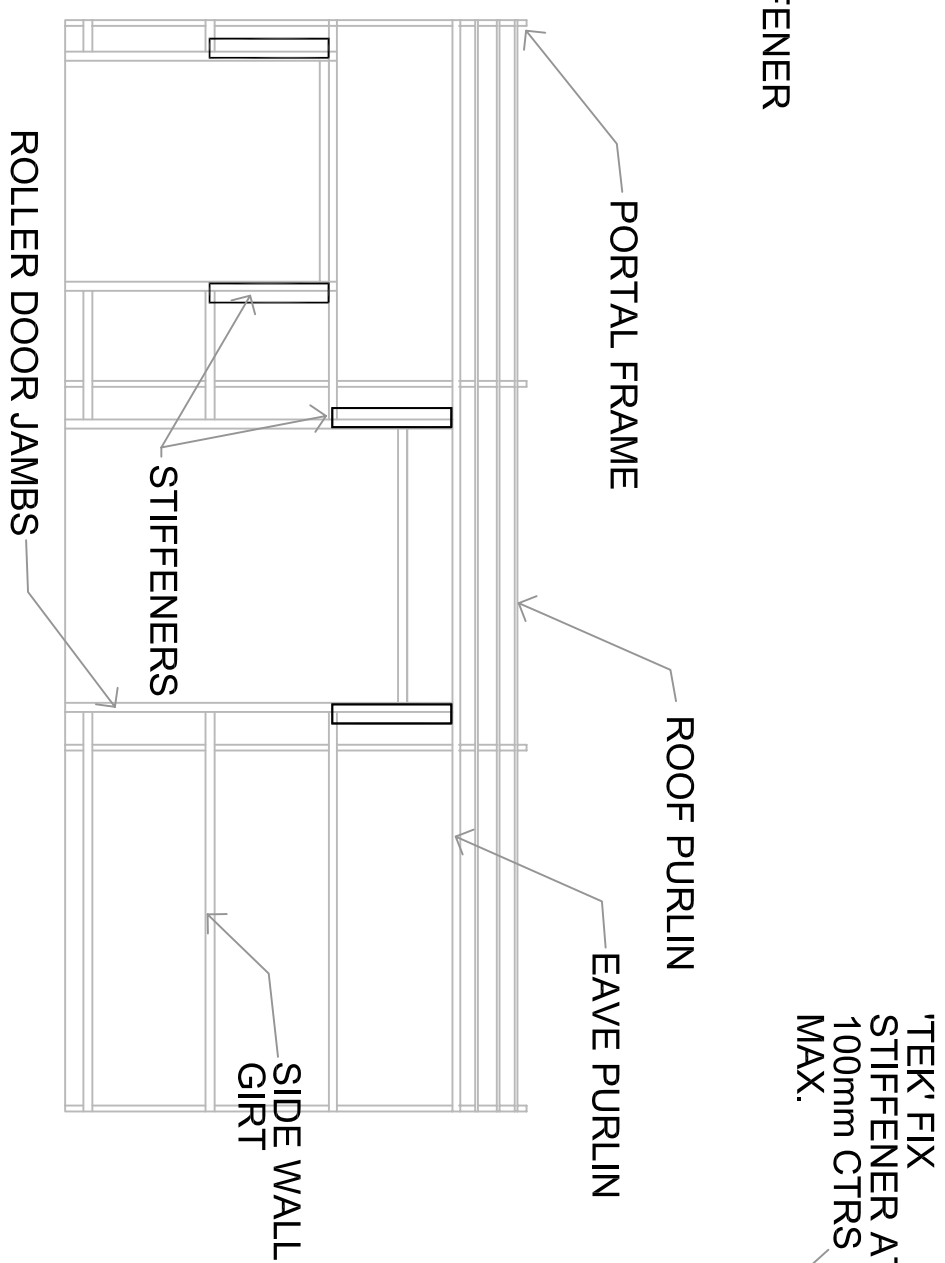
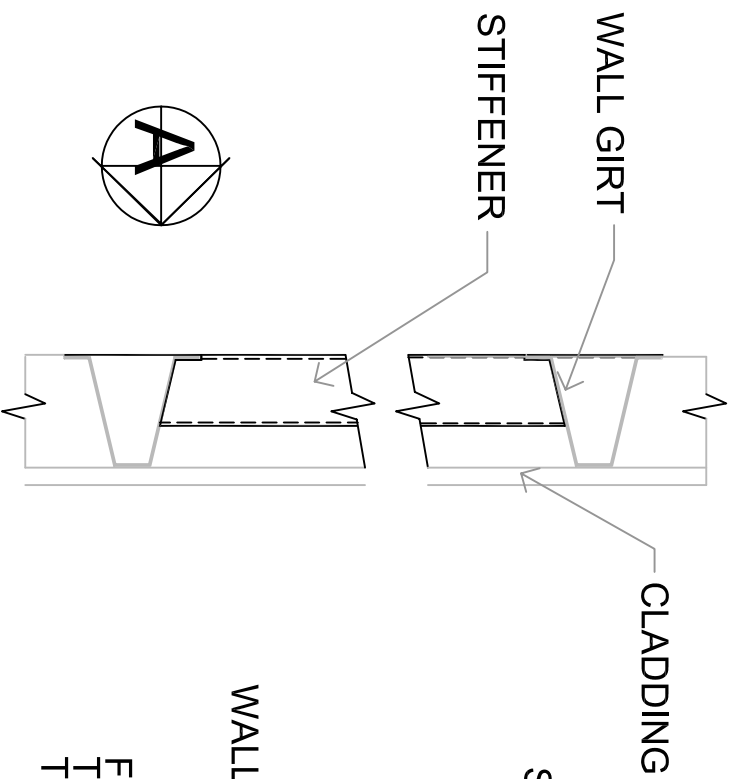
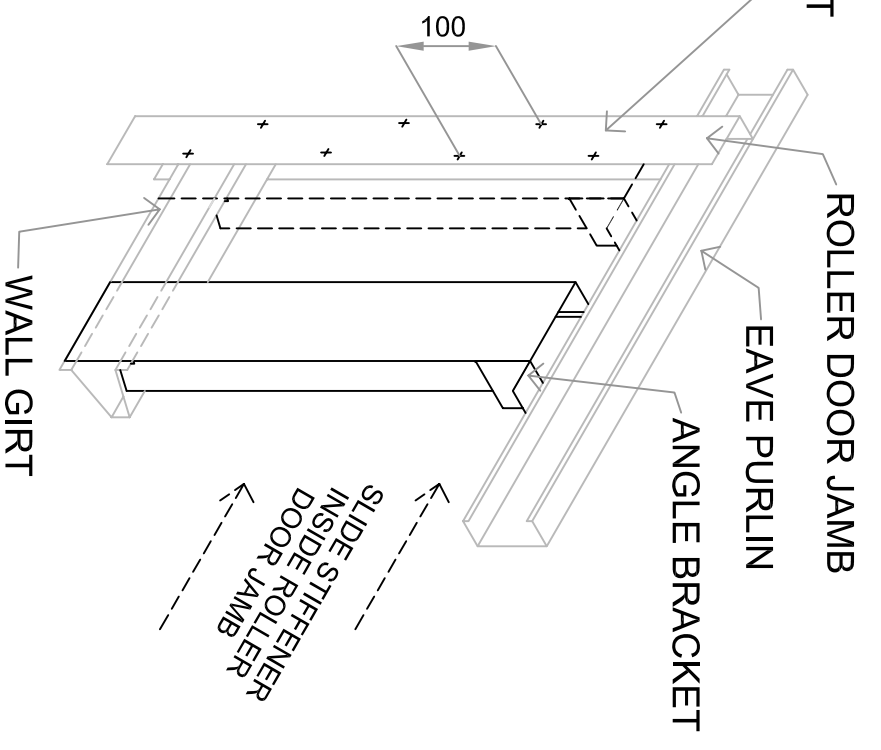


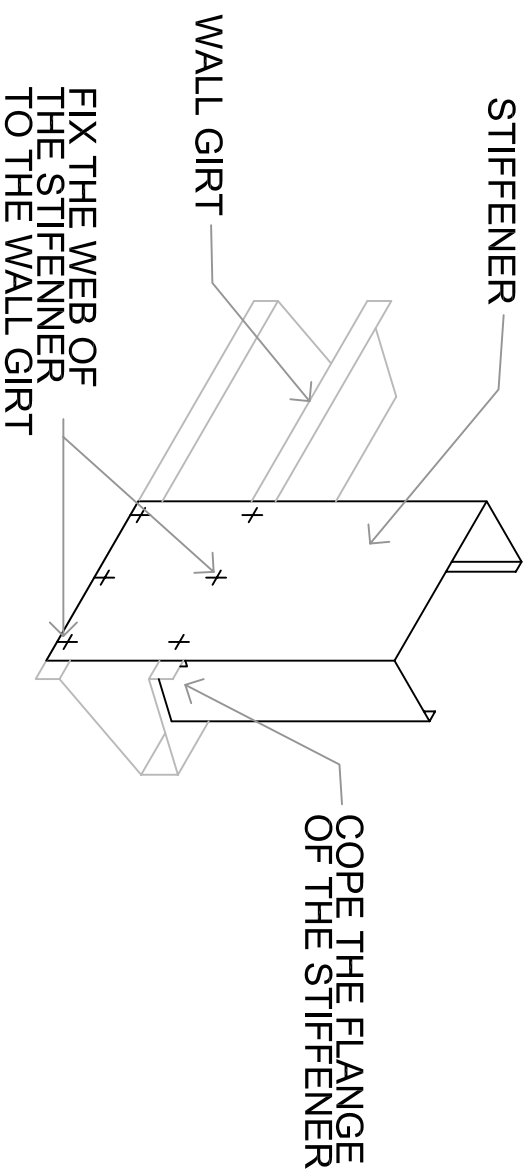
ISOMETRIC ELEVATION



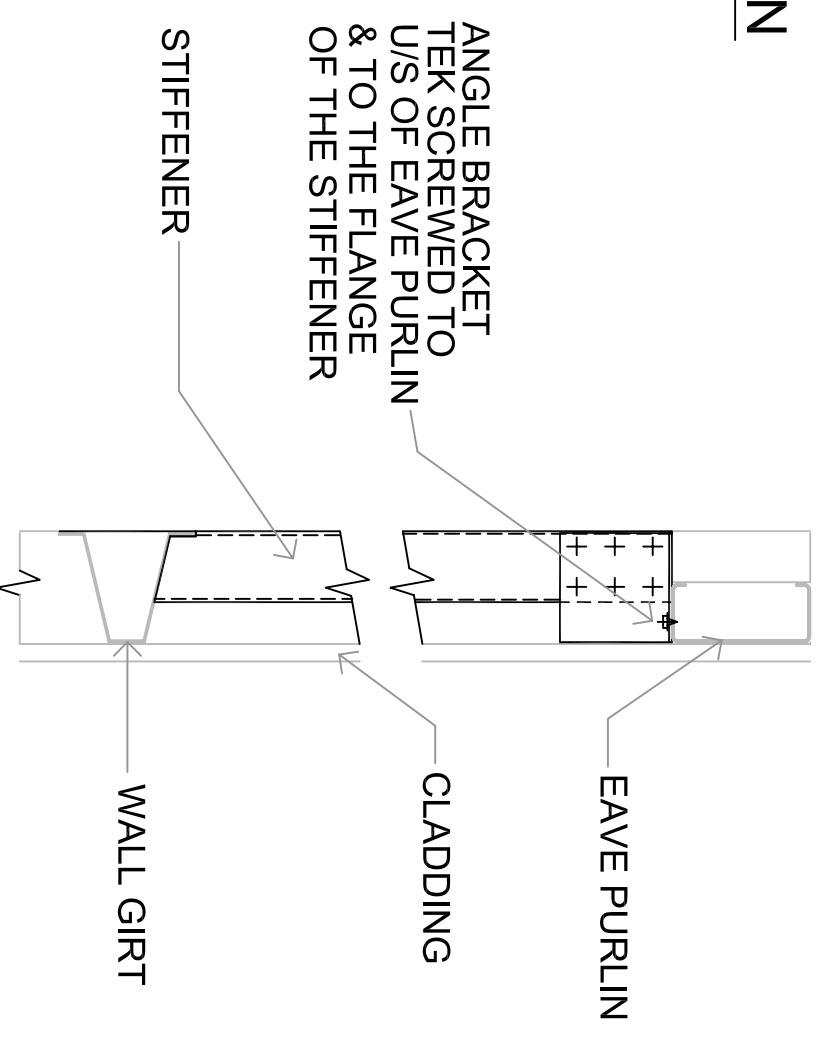
TYPICAL SIDE WALL ELEVATION



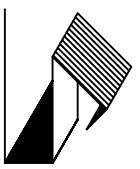
WALL GIRTS TO WALL GIRTS ATTACHMENT



WEB ATTACHMENT DETAIL VIEW - A



EAVE PURLIN TO WALL GIRTS ATTACHMENT



AG&S BUILDING SYSTEMS
 PTY. LTD.
 PO BOX 252 CAMDEN,
 NSW AUSTRALIA 2570
 0246 550-000 (PH)
 0246 555-888 (FAX)

© Copyright A.G. & S. Building Systems Pty Ltd

A B CONSULTING ENGINEERS
 Structural & Civil

Andrew Matukevitch
 +61 362 399 099
 MIEAust. CP.Eng. (Regd. NPER - 3 Structural)
 Practising Structural Engineer

ROLLER DOOR MOUNTING STIFFENER DETAILS

SCALE
 NTS
 SHEET
 1 of 1